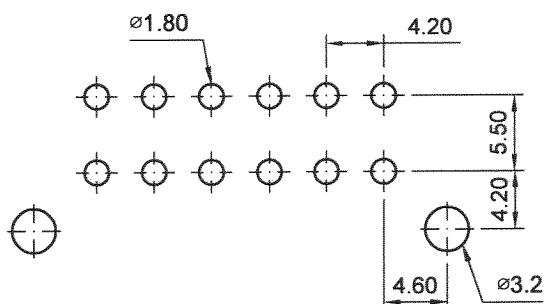
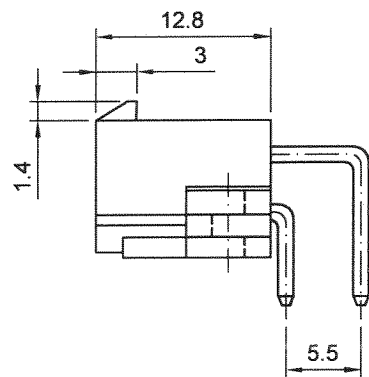
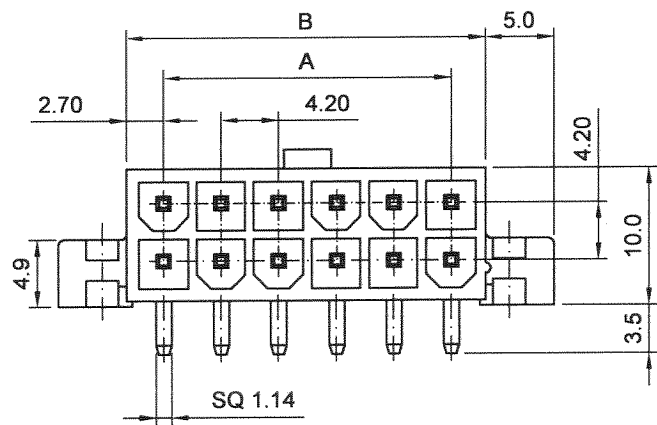
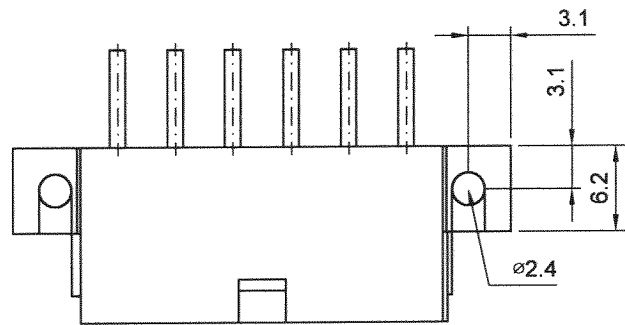


RoHS
Compliant
2002/95/EC



P.C.Board Layout

FEATURE :

- ★AVAILABLE IN 2 THRU 24 CIRCUIT
- ★VOLTAGE RATING 600V (R.M.S)
- ★CURRENT RATING 9 AMPS PER CIRCUIT
- ★ACCEPTS .45"(1.14mm) SQUARE PINS TIN-PLATED

SPECIFICATION :

MATERIAL:

- ★HEADERS PIN-BRASS TIN-PLATED
- ★HOUSING- UL 94V-2 NYLON 66

ELECTRICAL:

- ★WITHSTANDING VOLTAGE: 1500V AC FOR 60 SECONDS
- ★INSULATION RESISTANCE: 1000 MΩ MIN
- ★TEMPERATURE RISE: 30°C MAX
- ★STORAGE TEMPERATURE RANGE: -40°C TO 105°C

Circuits	Dim. A	Dim B
2		5.4
4	4.2	9.6
6	8.4	13.8
8	12.6	18.0
10	16.8	22.2
12	21.0	26.4
14	25.2	30.6
16	29.4	34.8
18	33.6	39.0
20	37.8	43.2
22	42.0	47.4
24	46.2	51.6

JAWS 兆旭股份有限公司
JAWS CO., LTD.
7F-1, NO.31, Lane 169, Kang Ning Street,
Hsichih, Taipei Hsien, Taiwan.
TEL:886-2-2692-2898
FAX:886-2-2692-2618
Http://www.jaws.com.tw

THIRD ANGLE PROJECTION
DESIGN UNITS: mm □ INCH
SIZE: A4 SCALE: FREE SHEET: 1/1
CPN NO.:
DAN NO.: S9706-031

TITLE: 4.2mm DUAL ROW WAFER
2x xx TR W/ EAR
PARTS NO.: 4420A-WR-xxT-E
DWG NO.: JAWS-SOP-4420A002
REV. 01

GENERAL TOLERANCES:
X. ±0.25
X.X ±0.13
X.XX ±0.08
ANGLE ±N/A

DRAWN: 游熾瑩 DATE: 97/06/12
CHECK: 郭峰 DATE: 97.6.12
APPROVE: 陳世官 DATE: 97.6.18